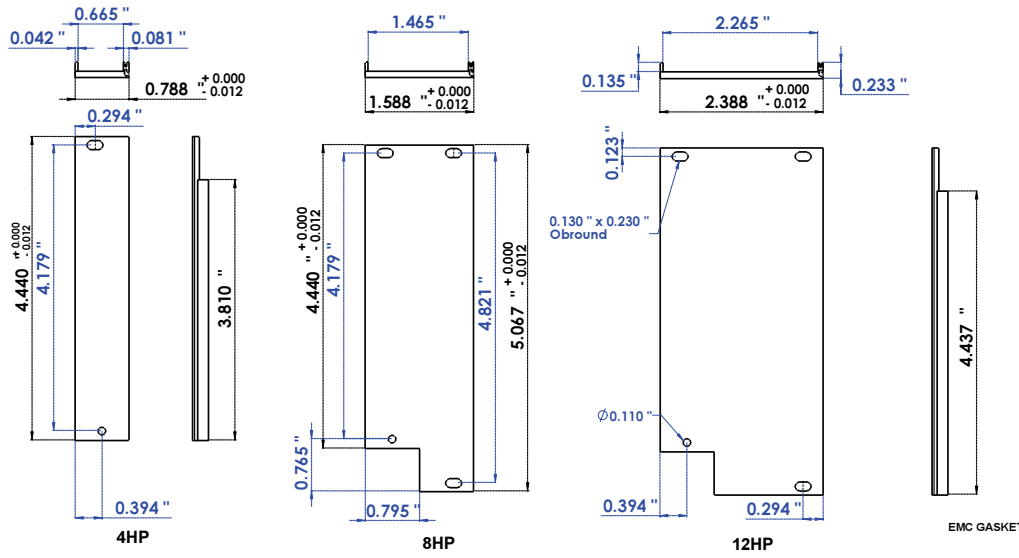


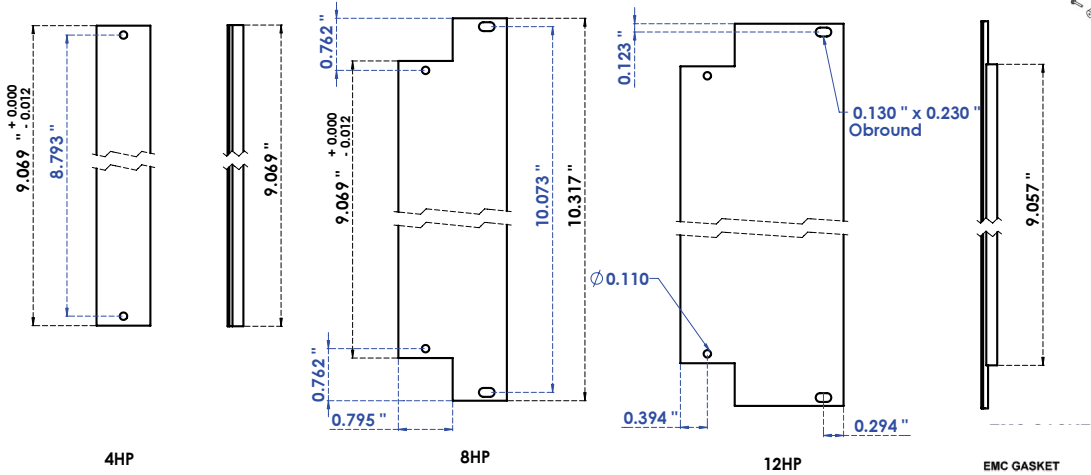
EMC Gasketed Front Panels for PC Boards with Injector/Ejector Cutouts

Front Panel Profiles - 4,8 or 12 HP Widths - Ejector Cut-outs

3U FRONT PANELS



6U FRONT PANELS



6U Front Panel Assembly (with Injector/Ejector Handles)

VECTOR P/N: 9340015-6
MATERIAL: STEEL WITH BRIGHT NICKEL FINISH

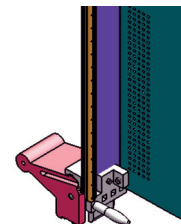
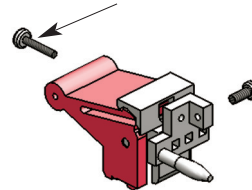
Available separately:

For 6U Cards order Injector/Ejector Kit: 90100016 includes 1 set (top & bottom) injector/ejectors & hardware
For 3U Cards order P/N 90100002-1, Bottom ejector only

U Part Number Part Number Part Number

U	4HP	8HP	12HP
3	FP52B4HP-1	FP52B8HP-1	FP52B12HP-1
6	FP10B4HP-1	FP10B8HP-1	FP10B12HP-1
9	FP15B4HP-1	FP15B8HP-1	FP15B12HP-1

M2.5 x 6 Screw Pan Head



Material: 6063T5, Brushed Aluminum/Chem Film Plating

Specification subject to change without notice

www.vectorelect.com

1U = 1.75"
1 HP = .200" (5.08mm)

800-423-5659